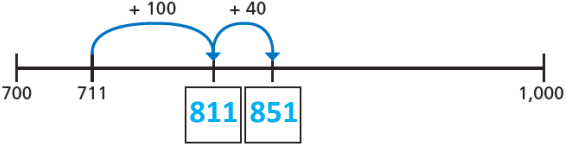
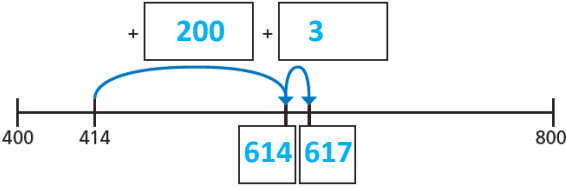
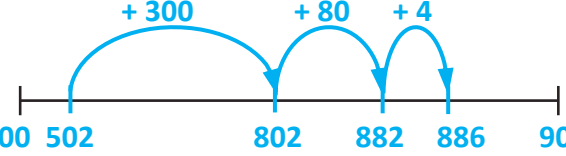
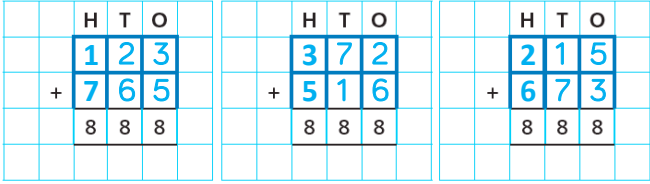


Question	Answer																									
1	<table border="1" style="margin-left: 20px;"> <tr><td></td><td>H</td><td>T</td><td>O</td></tr> <tr><td></td><td>4</td><td>5</td><td>3</td></tr> <tr><td>+</td><td>1</td><td>2</td><td>5</td></tr> <tr><td></td><td><u>5</u></td><td><u>7</u></td><td><u>8</u></td></tr> </table>		H	T	O		4	5	3	+	1	2	5		<u>5</u>	<u>7</u>	<u>8</u>									
	H	T	O																							
	4	5	3																							
+	1	2	5																							
	<u>5</u>	<u>7</u>	<u>8</u>																							
2	<p>a)</p> <table border="1" style="margin-left: 20px;"> <tr> <td style="background-color: #d9ead3;">Hundreds</td> <td style="background-color: #d9ead3;">Tens</td> <td style="background-color: #d9ead3;">Ones</td> </tr> <tr> <td>●●●</td> <td>●●●●</td> <td>●●</td> </tr> <tr> <td>●●</td> <td></td> <td>●●●●●</td> </tr> </table> <p>b)</p> <table border="1" style="margin-left: 20px;"> <tr><td></td><td>H</td><td>T</td><td>O</td></tr> <tr><td></td><td>3</td><td>6</td><td>2</td></tr> <tr><td>+</td><td>2</td><td>0</td><td>5</td></tr> <tr><td></td><td><u>5</u></td><td><u>6</u></td><td><u>7</u></td></tr> </table> <p>c) It is best to add the ones column first.</p>	Hundreds	Tens	Ones	●●●	●●●●	●●	●●		●●●●●		H	T	O		3	6	2	+	2	0	5		<u>5</u>	<u>6</u>	<u>7</u>
Hundreds	Tens	Ones																								
●●●	●●●●	●●																								
●●		●●●●●																								
	H	T	O																							
	3	6	2																							
+	2	0	5																							
	<u>5</u>	<u>6</u>	<u>7</u>																							
3	399 km																									
4	<p>a) $711 + 140 = 851$</p>  <p>b) $414 + 203 = 617$</p>  <p>c) $502 + 384 = 886$</p> 																									
5	<p>a) 939</p> <p>b) 289</p> <p>c) £896</p>																									

Question	Answer																																		
6	a) school A School A has fewer boys than school A, so must have more girls. b) 129																																		
7	multiple possible answers, e.g.: 																																		
8	a) <table border="1" data-bbox="254 638 525 787" style="margin-left: 40px;"> <tr><td></td><td colspan="3" style="text-align: center;">569</td><td></td></tr> <tr><td></td><td colspan="2" style="text-align: center;">324</td><td colspan="2" style="text-align: center;">245</td><td></td></tr> <tr><td style="background-color: yellow;">121</td><td style="background-color: lightblue;">203</td><td style="background-color: lightpurple;">42</td><td colspan="3"></td></tr> </table> b) multiple possible answers. e.g.: <table border="1" data-bbox="254 828 525 977" style="margin-left: 40px;"> <tr><td></td><td colspan="3" style="text-align: center;">768</td><td></td></tr> <tr><td></td><td colspan="2" style="text-align: center;">543</td><td colspan="2" style="text-align: center;">225</td><td></td></tr> <tr><td style="background-color: lightblue;">422</td><td style="background-color: lightblue;">121</td><td style="background-color: lightblue;">104</td><td colspan="3"></td></tr> </table> Children can check each other's pyramids.		569					324		245			121	203	42					768					543		225			422	121	104			
	569																																		
	324		245																																
121	203	42																																	
	768																																		
	543		225																																
422	121	104																																	